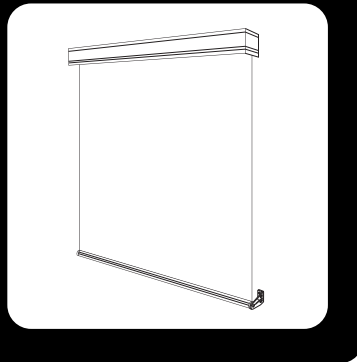


# ROLLER SHADE

Continuous Cord Loop and Link System  
with Cassette

Continuous Cord Loop with Side Channels



**3DAYBLINDS®**  
YOU'LL LOVE THE TREATMENT

## GETTING STARTED

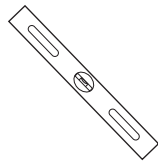
A few simple tools are required:



Steel Tape Measure



Pencil



Level  
(for outside mount)



Power Drill and  
Drill Bits



Flathead & Phillips  
Screwdriver



Awl (or tool for  
starting a screw hole)

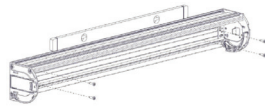
Included in your order is all the hardware necessary for a normal installation. Depending on the mounting surface, fasteners other than the screws provided may be required. Wall board and plaster require the use of anchors such as expansion or toggle bolts. Bricks, tile and stone need special plugs and drill bits. Wood should always be pre-drilled to avoid splitting.

Professional installation is also available in most areas, call 800-800-3329.

## STANDARD HARDWARE



Inside Mount Cassette with  
Pre-drilled Hole Locations

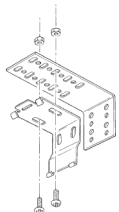


Outside Mount Cassette with  
Pre-drilled Hole Locations

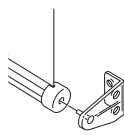


Tension Pulley and  
Bracket with Screws

## OPTIONAL HARDWARE



Extension Bracket



Hold Down Bracket

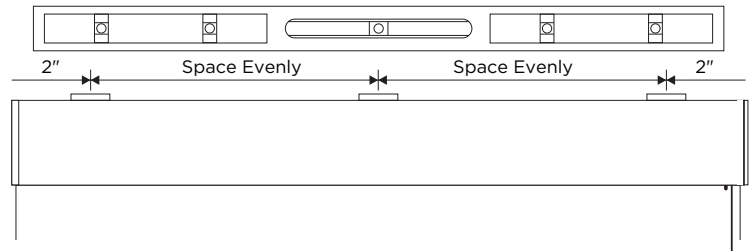


Spacers

## CASSETTE INFORMATION

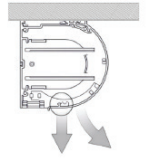
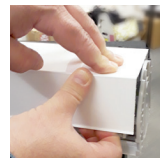
The cassettes you received with your product are REQUIRED for proper installation. Screws should be installed at each end and any additional screws will need to be evenly spaced between the two end predrilled holes.

## SCREW PLACEMENT

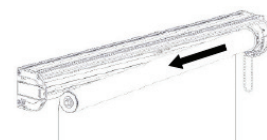


NOTE: Measure and mark all predrilled locations before installing.

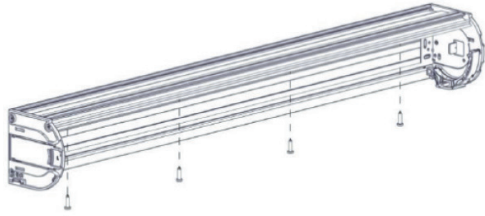
- Measure 2" in from the ends of the headrail and mark the holes location on the mounting surface.
- Space additional screws evenly between the end holes.
- Adjust the cassette projection to accommodate obstructions to the bottom rail, such as window cranks or handles, using the spacer blocks provided.
- Before installing the cassette directly to the sill or wall you must first remove the fascia and the shade from the cassette.
- To remove the fascia, push down on the face of the fascia and pull the inner edge shown and swing out to disengage from the end plate on each side.



- Next remove the shade from the cassette by retracting the pin on the idle side using the dial and turning it counter-clockwise, then pull the shade away from the control side bracket.

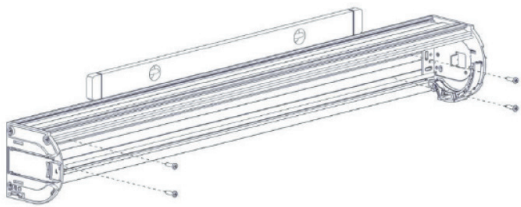


## INSIDE MOUNT



- Align the tops of each installation cassette to the top of the window opening and attach using the screws provided, drilling through the predrilled holes.
- Adjust the cassette placement to accommodate obstructions to the bottom rail, such as a window crank or handle.
- Use a carpenter's level to check that the cassette is level and aligned. Attach using the screws provided and drill through the predrilled holes.

## OUTSIDE MOUNT



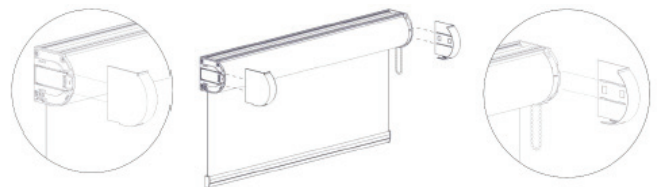
- Attach the back of each installation cassette using one screw per predrilled hole.
- Use a carpenter's level to check that the cassette is level and aligned.

## SHADE INSTALLATION INTO CASSETTE

Once you have installed the Cassette now it is time to reassemble the shade back into the Cassette. Insert the control side first making sure the mechanism is turned just like it was when removed, chain guard turned up towards Cassette so chain is visible (picture below). Next push the idle pin in and slowly insert the shade into the groove provided by the internal bracket until the pin snaps into place. Then reattach the CCL guide to the end plate making sure the complete piece snaps into place in the correct groves.

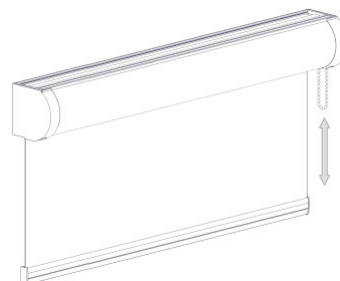


Once you have the shade back into the Cassette now it is time to reattach the Fascia. The Fascia sits in a groove on top of the Cassette and snaps into the end plates on the right and left side. Insert the Round or Square fascia onto the Cassette back groove & rotate down to clip into position on the right and left side, you will hear it snap into place.



The final step is to attach the end caps on the right and left side of the Cassette.

- Align the square or round end caps and slide them onto the end plates of the cassette. You will hear a click when they are in place.



- Test the shade to ensure it is operating correctly.

# TENSIONER INSTALLATION

After installing the window covering, the Cord Tensioner must be mounted for the window covering to operate correctly. When properly installed, the Cord Tensioner functions as a safety device that makes the pull cord less accessible to children.

NOTE: If the mounting screws will not be secured into a wood stud, use wall anchors. For metal surfaces, pre-drill the holes and use sheet metal screws.

- For full tensioner installation instructions refer to the Installation manual in the hardware kit.

## IMPORTANT!

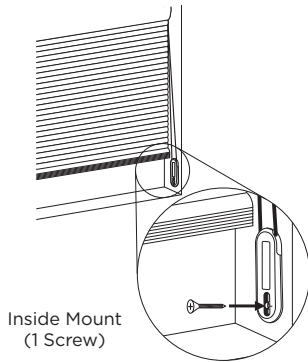
- Install the Cord Tensioner in a location that minimizes accessibility to children and pets and where it will not interfere with its operation.
- Only supplied Cord Tensioners and hardware should be used.

## MOUNTING OPTIONS

### Option A - Inside mount without an anchor

Cord Tensioner used in an inside mount application without a mounting bracket.

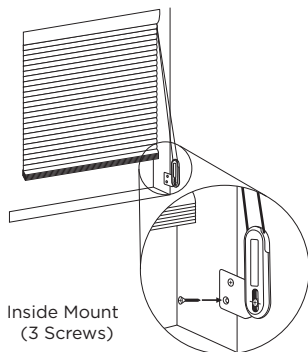
- Locate the Cord Tensioner as close to the window as possible to minimize accessibility by children and pets. Be sure the Cord Tensioner is not placed in the path of the window covering when raising and lowering.



### Option B - Inside mount with an anchor

Cord Tensioner using the mounting bracket in an inside mount application.

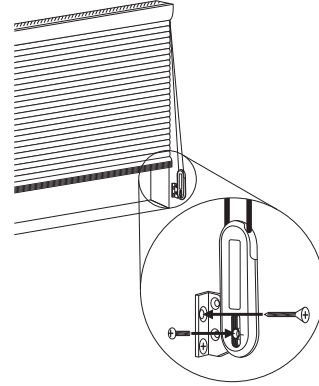
- Locate the Cord Tensioner as close to the window as possible to minimize accessibility by children and pets. Be sure the Cord Tensioner is not placed in the path of the window covering when raising and lowering.



### Option C - Outside Mount

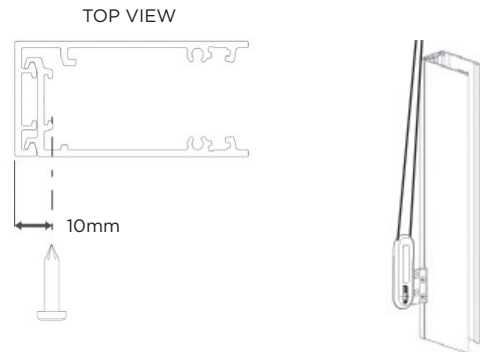
Cord Tensioner using the mounting brackets in an outside mount application.

- Locate the Cord Tensioner as close to the window as possible to minimize accessibility by children and pets. Be sure the Cord Tensioner is not placed in the path of the window covering when raising and lowering.



### Option D - Outside Mount with Side Channels

- All tensioners must be affixed to the side channel as specified to ensure bottom rail function is not affected.
- Drill a pilot hole into the face of the metal side channel 10mm (slightly more than 3/8" from the edge of the channel).



## SHADE OPERATION

- To raise the shade, pull down on the front of the cord loop.
- To lower the shade, pull down on the back of the cord loop.

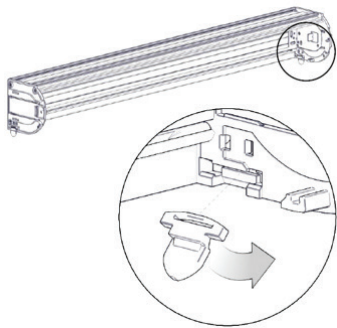
## SHADE REMOVAL

Start by disassembling the shade like you did in the beginning.

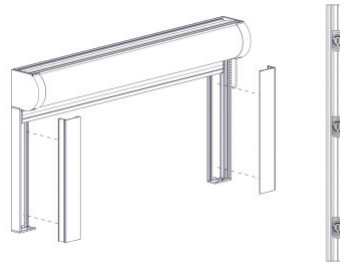
- First remove the end caps on the left and right side by sliding them towards you.
- Next remove the fascia by pushing in on the face of the fascia and pull the inner edge down and swing out to disengage from the end plate on each side.
- Next remove the shade from the Cassette by retracting the pin on the idle side using the dial and turning it counter clockwise, then pull the shade away from the control side bracket.
- Final step is to remove the screws used to drill the Cassette into the sill/wall. Remember to hold onto the Cassette as you release the screws.

# INSTALLING SHADES WITH SIDE CHANNELS

## SHADE INSTALLATION



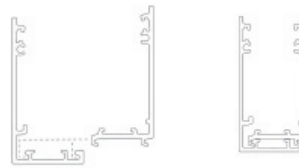
- Install the side guide ears. Ensure they fit flush with the outside of the endplates.



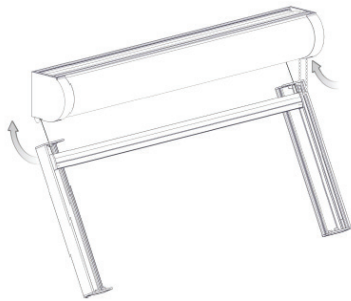
- Before installing the face of the side channels, make sure the side guide locks are inserted.



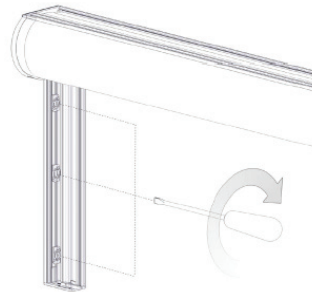
- Add the side channel top and bottom caps onto the side channel pieces.



- Once those are inserted, the face of the side channel should snap into place.



- Before installing the side channels, lower the shade a little so you are able to insert the fabric into the caps guide.



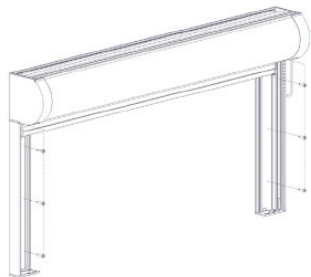
- Use a flat head screw driver and rotate the locks clockwise to secure the side guides together.

NOTE: the channel cover in this image has been removed for clarity.

- Locate the side channel top cap to the side guide ear for the correct position. Lift out the fabric and bottom rail to insert the fabric into the side guides.



Unlocked Position: rotate clockwise to lock      Locked Position



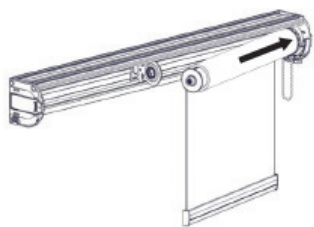
- Slide the channels all the way up until they touch the bottom of the cassette. Hold a level on the siderails and adjust until it is level vertically. Then fasten with screws in the pre-drilled holes.



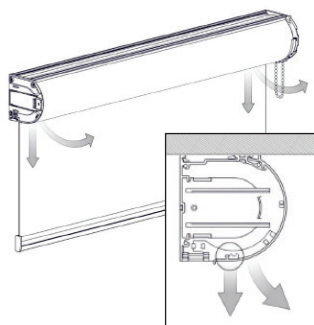
- Test the shade to ensure it is operating correctly. Double check that the side channels are vertical and parallel using a level.

- Run the shade down and up to ensure correct operation.

## INSTALLING SHADES WITH LINK SYSTEM AND CASSETTE



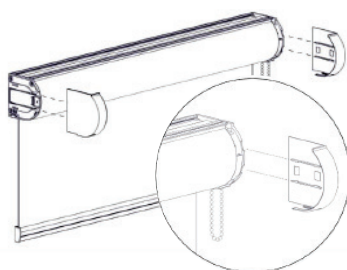
- Slide control end in first. Then retract the idle pin to clip in the idler side.



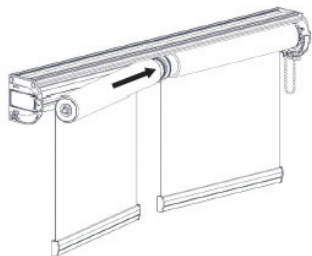
- If the cover needs to be removed in the future, reverse these steps and pull the inner edge down, then swing out to disengage from the end plate clip.



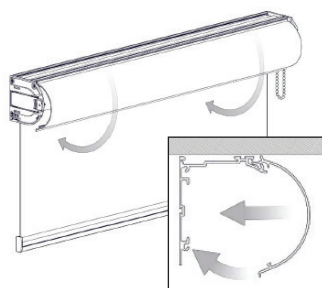
- Rotate the center side of the first shade into the box back, retract the pin to engage into the center link bracket, and tighten the grub screw.



- Align and slide the round or square end covers onto the end plates. You should hear them click into place.



- Insert the second shade into the center link bracket and clip the idler into the idler bracket.



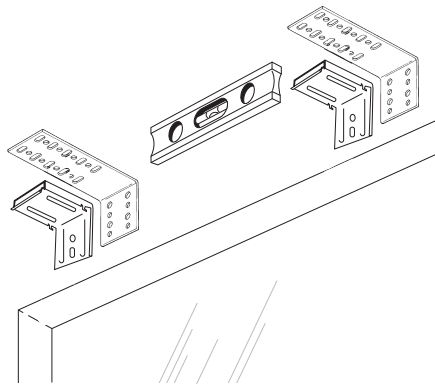
- Insert the round or square cover onto the cassette back and rotate it down to clip into position.

# OPTIONAL ACCESSORIES

## EXTENSION BRACKETS

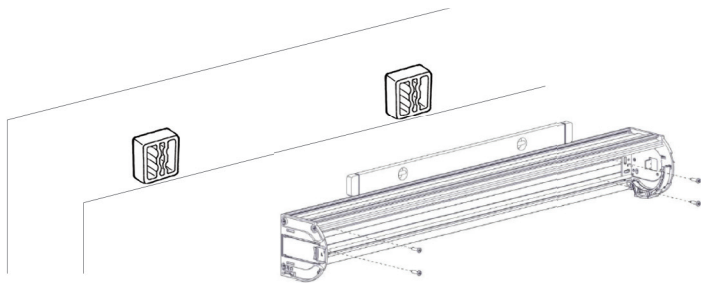
Extension Brackets are used to project the shade up to 3" from the mounting surface. Extension brackets are available at an additional charge and are ideal if your shade must clear an obstruction such as a sliding glass door handle or window crank. Extension brackets require a flat vertical mounting surface of at least 7/8".

### To assemble and mount



- Attach each mounting bracket to an extension bracket by using the nuts bolts and washers provided.
- Mount the extension bracket to the wall per the instructions for an "Outside Mount", using a level and making certain that all mounting brackets are level and project the same distance from the mounting surface. For maximum stability, install the screws diagonally from one another.
- Install the shade per the directions for "Shade Installation".

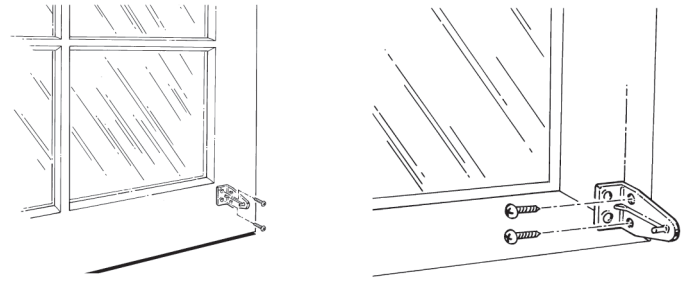
## SPACERS



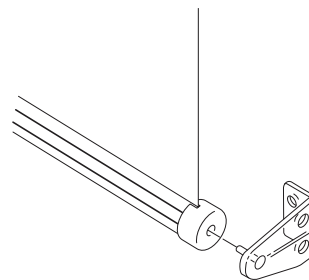
Spacers are available for use on windows with a projected molding. They are 3/8" thick and allow the shade to be mounted flush with the outside edge of any standard window molding. They are available by contacting our Customer Care Department at 800-800-3329.

## HOLD DOWN BRACKETS

Hold down brackets are used primarily on shades mounted to doors or in motor homes. There are two small holes in the end caps. Use the pin on the hold down bracket to push through the hole in the end cap.



- With the shade lowered to it's full length, place the pin of each hold down bracket into the hole in each end of the bottom rail.
- Mark the mounting surface, either to the side or back of the window frame, through the holes in the hold down bracket. Make sure the hold down brackets are level and aligned with each other.
- Raise the shade and screw the hold down brackets into the mounting surface using the screws provided.



- Lower the shade and flex the hold down bracket outward so that the pin can be inserted into the hole in the end cap.

# ! WARNING ! ADVERTENCIA



## Window Blind Cord Strangulation Risk

Window Blinds with a damaged or loose tension device or retractable cord that fails to fully retract pose a strangulation risk to children. To avoid this potential strangulation risk, consider purchasing cordless products or products with inaccessible cords.

## Riesgo de Estrangulamiento en Cuerdas de Persianas

Las persianas con un dispositivo tensor suelto o dañado o con una cuerda retractable que no se ajusta completamente representan un riesgo de estrangulación para los niños. Para evitar un posible riesgo de estrangulamiento, considere comprar productos inalámbricos o productos con cuerdas inaccessibles.

- Always keep cords and bead chains out of children's reach.
- Move cribs, playpens, and other furniture away from cords and bead chains. Children can climb furniture to get to cords.
- Attach tension device to wall or floor. This can prevent children from pulling cords and bead chains around their necks. Fasteners provided with the tension device may not be appropriate for all mounting surfaces. Use appropriate anchors for the mounting surface conditions.



**3DAYBLINDS®**  
YOU'LL LOVE THE TREATMENT

800-800-3329 | 3dayblinds.com

Part # PM-052 © 3 Day Blinds LLC 5/24