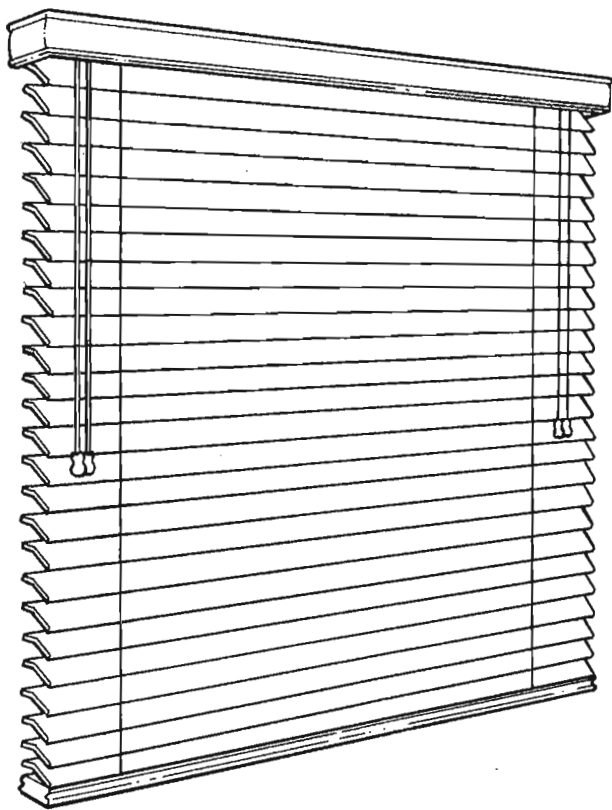


# Installation Instructions

**SOLAIRE**  
PRIVACY BLIND®



Congratulations on the purchase of your new window covering! Solaire Privacy Blind® provides maximum privacy and light control with its rear route holes and unique slat shape. Your purchase includes all hardware required to successfully install your new blind. Please take a moment to read through these instructions before installation.

**3 DAY BLINDS®**

*America's Window Covering Specialists™*

1-800-800-3DAY

[www.3day.com](http://www.3day.com)

# Getting Started

## A few simple tools are required:

- Steel tape measure
- Power drill and drill bits (if desired)
- Flathead and Phillips screwdriver
- Pencil
- Level (for outside mount)
- Awl (or tool for starting a screw hole)

Included in your order is all the hardware necessary for a normal installation. Depending on the mounting surface, fasteners other than the screws provided may be required. Wall board and plaster require the use of anchors such as expansion or toggle bolts. Bricks, tile or stone need special plugs and drill bits. Wood should always be pre-drilled to avoid splitting.

Professional installation is also available at most 3 Day Blinds locations.

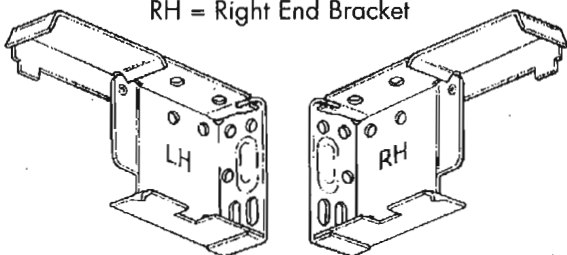
## Standard Hardware

### End Brackets

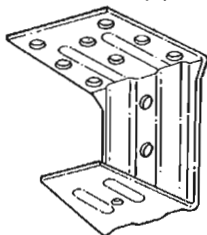
Open Position

LH = Left End Bracket

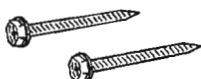
RH = Right End Bracket



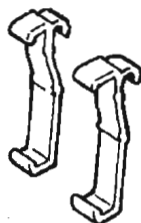
### Center Support



### Screws

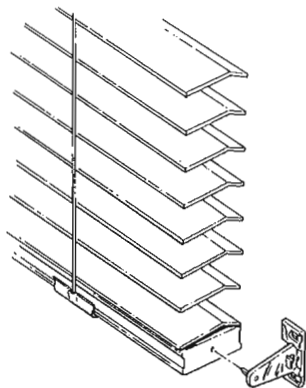


### Valance Clips

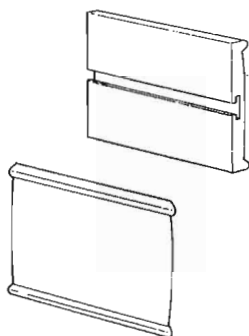


## Optional Hardware

### Hold Down Bracket



### Valance Returns



### Glue



## Bracket Information

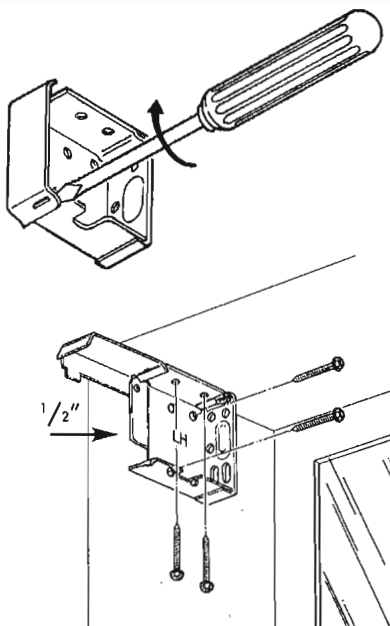
This blind was shipped with two end mounting brackets and the required number of center support brackets as shown in the following chart.

Blind Width	Center Support Brackets
10" - 24"	0
24 1/8" - 30"	1
30 1/8" - 40"	2
40 1/8" - 58"	3
58 1/8" and wider	4

# Inside Mount

**DEPTH:** A minimum window depth of  $2\frac{3}{4}$ " is required for a flush mount inside the window casing. Be sure to check for any obstructions such as window cranks or locks that may add to this minimum depth.

## Installing The End Mount Brackets

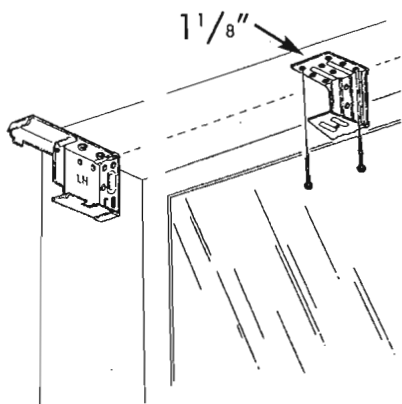


- Using a flathead screwdriver, open the latches of the end brackets.
- Recess the bracket  $\frac{1}{2}$ " from the edge of the window casing
- Mount the bracket using two of the screws provided. For maximum stability the screws should be installed diagonally from one another.

## Installing The Center Bracket (If supplied)

If your hardware packet includes one center support bracket, position it as close to the top center of the window casing as possible. If more than one center support bracket has been provided, position them equidistant from the end brackets and each other.

**WARNING** Do not locate the center support brackets over any of the moving parts in the headrail.



- Recess the front edge of the center support bracket(s)  $1\frac{1}{8}$ " from the front edge of the window casing. This recess will align the back of the center support bracket(s) with the back of the end brackets.
- For maximum stability, the screws should be installed diagonally from one another.

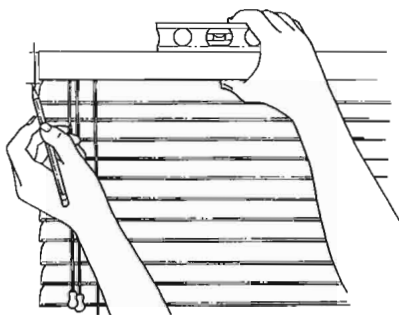
See "Blind Installation" on page 6.

# Outside Mount

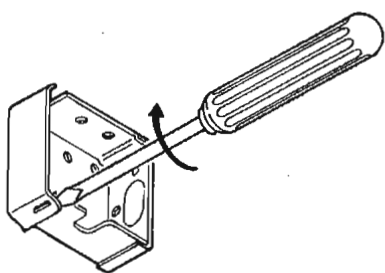
Outside mount installation is much easier and safer with two people.

NOTE: Mounting brackets require a flat vertical mounting surface of at least 1 1/2" to install. They are mounted with the back of the bracket flat against the vertical surface of the wall or window molding above the window.

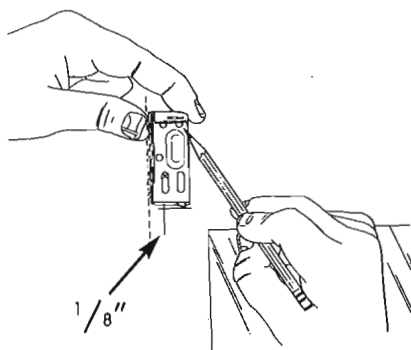
## Installing The End Mount Brackets



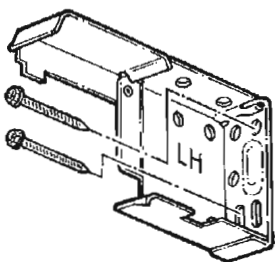
- Lower the blind to its full length by pulling the lift cord down and towards the center of the blind, allowing the cords to slide slowly through your hand.
- Hold the blind up to the desired mounting position.
- Once the blind is level, mark the wall at the lower corners of each end of the headrail using a pencil.
- Draw the blind up completely and set it aside.



- Using a flathead screwdriver, open the latches of the end brackets.



- Position the end bracket marked "LH" above the top left corner of the window, 1/8" TO THE LEFT of the pencil marks.
- Using a pencil, mark the wall through the holes in the back of the end bracket.

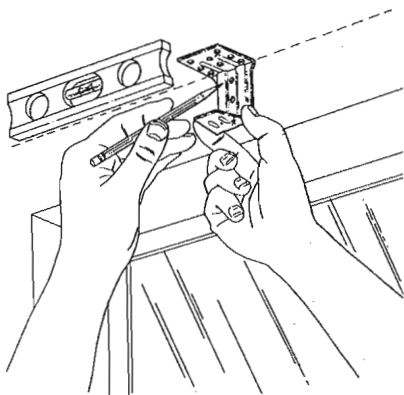


- Mount the bracket using two of the screws provided. For maximum stability the screws should be installed diagonally from one another.
- Repeat this procedure for the right end bracket, making sure that the end bracket marked "RH" is positioned above the top right corner of the window  $\frac{1}{8}$ " TO THE RIGHT of the pencil marks.

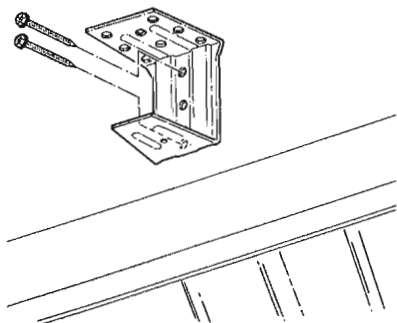
### Installing The Center Bracket (If supplied)

If your hardware packet includes one center support bracket, position it as close to the center of the mounting surface as possible. If more than one center support bracket has been provided, position them equidistant from the end brackets and each other.

**WARNING Do not locate the center support brackets over any of the moving parts in the headrail.**

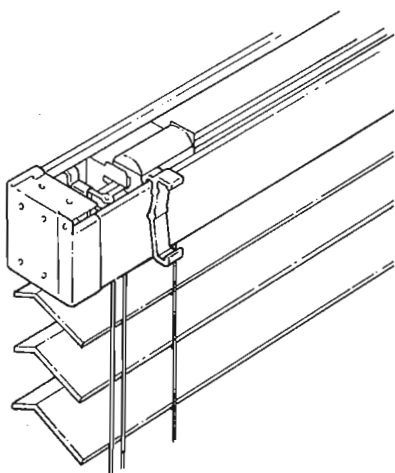


- Make sure all Center Support brackets are positioned at the same height and are level with the end brackets.



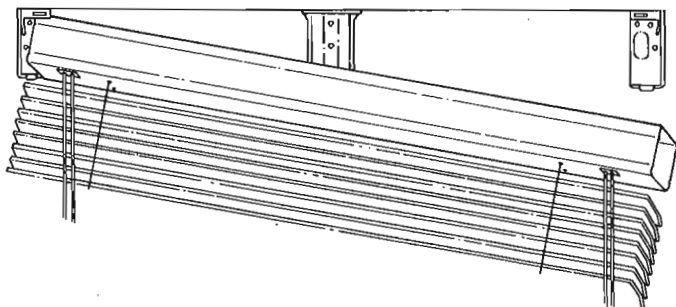
- Mount the bracket using two of the screws provided for maximum stability.
- Repeat this procedure for any remaining center support brackets.

# Blind Installation



- If you have ordered a blind with a valance, attach the Valance Clips to the front of the headrail PRIOR to installing the blind. The Valance Clips should be spaced equidistant from the end brackets and each other to allow proper support for the entire valance. Make sure the Valance Clips do not interfere with any moving parts. The valance will be inserted into the Valance Clips AFTER the blind has been installed in your window.

## Installing The Blind

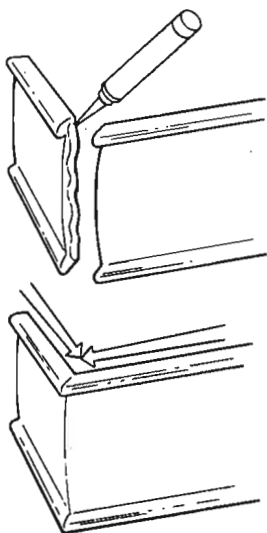


- Be sure the hinged end brackets are in the open position.
- Slide the headrail into the end brackets and center support brackets. Make sure that no cords or slats are in the way.
- Close the hinges on the end brackets until you hear them "snap".
- While supporting the bottom of the blind, gently lower the blind to its full length. (See "Blind Operation", Page 8)

# Valance Installation

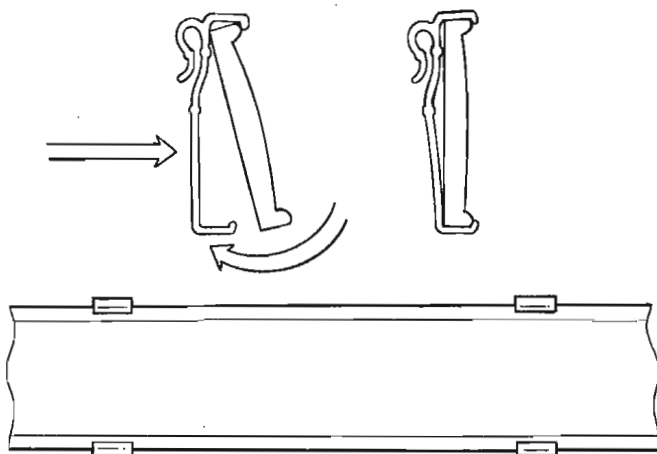
If you ordered valance returns, they should be glued to the valance BEFORE attaching the valance to the blind.

**CAUTION Do not get glue on the surface of the valance. Avoid contact with skin.**



- Apply a thin coat of glue to the mitered end of both the valance and the valance returns.
- Join the ends of the valance returns with the valance by pressing the mitered edges together firmly for 60 seconds.
- Repeat this procedure for the other end of the valance.
- Allow the glue to dry for at least 10 minutes before installing the valance.

**NOTE Be sure that the valance clips are attached to the headrail before you install the valance.**



- Center the valance on the headrail.
- Insert the top edge of the valance into the top lip of the Valance Clips. Using a downward rolling motion, gently push the bottom edge of the valance into the Valance Clips until you hear the valance "snap" into place.



# Blind Operation

## Cord and Wand Controls

TO OPEN OR CLOSE THE BLIND:

- If you have cord controls, YOU MUST take one tilt cord in each hand applying slight tension to each cord, and pull gently down to tilt the slats to the desired angle.
- If you have wand controls, twist the tilt wand.

TO RAISE OR LOWER THE BLIND:

- Do not attempt to raise or lower the blind unless the slats are in a completely open (horizontal) position.
- To raise the blind, pull the lift cords down.
- To engage the lock, pull the lift cords down and toward the outside of the blind.
- To lower the blind, pull the lift cords down and toward the center of the blind and allow the cords to slide slowly through your hand.

## Cordless Blind

TO OPEN OR CLOSE THE BLIND:

- Twist the tilt wand.

TO RAISE OR LOWER THE BLIND:

- See the enclosed "Cordless Blind Lifting System Operating Instructions".

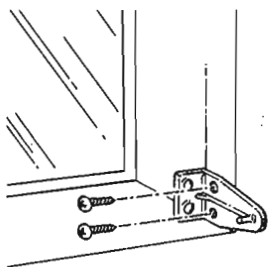
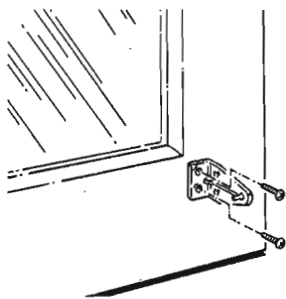
## Removing The Blind

- Draw the blind completely up. (See "Blind Operation", above)
- Using a flathead screwdriver, open the latches of the end brackets, as shown in "Installing the End Mount Brackets".
- Holding on to both ends of the headrail, gently pull the blind forward and out of the brackets.

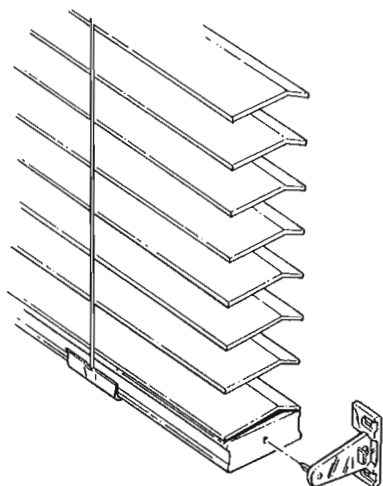
# Optional Installation Hardware

## Hold Down Brackets

Hold down brackets are used primarily on blinds mounted to doors or in motor homes. If hold down brackets were ordered at the time of purchase, the bottom rail of the blind will be pre-drilled to accommodate the brackets. If you require hold down brackets and no hole appears, simply drill a small hole in the center of the bottom rail using a  $1/16$ " drill bit.



- With the blind lowered to its full length, place the pin of each hold down bracket into the hole in each end of the bottom rail.
- Mark the mounting surface, either to the side or back of the window frame, through the holes in the hold down bracket. Make sure the hold down brackets are level and aligned with each other.
- Raise the blind and screw the hold down brackets into the mounting surface using the screws provided.



- Lower the blind and flex the hold down bracket outward so that the pin can be inserted into the hole in the bottom rail.

## **Cleaning and Care**

Caring for your Solaire Privacy Blind is very easy. Periodic vacuuming with a soft brush attachment is suggested. To dust the blind, use a lamb's wool duster or a soft clean cloth to avoid scratching the finish. DO NOT sponge clean or use abrasive household cleansers. Corrosive chemicals may stain or damage the blind. 3 Day Blinds also offers products specifically designed to safely and quickly clean Solaire Privacy Blinds. See showroom for details.

## **⚠ Warning**



Young children can STRANGLE in cord and bead chain loops. They can also wrap cords around their necks and STRANGLE.

- Always keep cords and bead chains out of children's reach.
- Move cribs, playpens, and other furniture away from cords and bead chains. Children can climb furniture to get to cords.
- Do not tie cords together. Make sure cords do not twist together and create a loop.

## **Limited Lifetime Warranty**

3 Day Blinds, Inc., will repair or replace any part of the window covering found to be defective in materials or workmanship at no cost to you. This warranty is limited to the original consumer purchaser of the window covering. There is no time limit to our warranty. This warranty does not apply to any defect caused by improper installation, alteration, abuse, misuse or exposure to excess moisture. This warranty does not cover normal wear and tear such as the natural deterioration of fabric and changes in color that take place over time. This warranty does not cover products that exceed 3 Day Blinds' size recommendations. To obtain service, bring the product(s) in question to any 3 Day Blinds showroom with this warranty and your purchase invoice. This warranty gives you specific legal rights and you may also have other rights which vary from state to state.

# **3 DAY BLINDS®**

*America's Window Covering Specialists™*

PART # 00001-011-000 REV 09-03  
© COPYRIGHT SEPTEMBER 2003  
3 DAY BLINDS, INC.