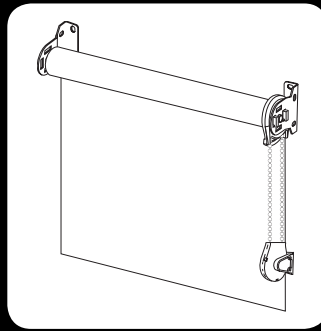


ROLLER SHADES



3DAYBLINDS®
YOU'LL LOVE THE TREATMENT

GETTING STARTED

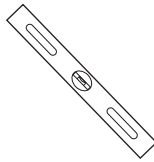
A few simple tools are required:



Steel Tape Measure



Pencil



Level



Power Drill and Drill Bits



Flathead & Phillips Screwdriver

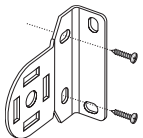


Awl (or tool for starting a screw hole)

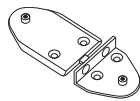
Included in your order is all the hardware necessary for a normal installation. Depending on the mounting surface, fasteners other than the screws provided may be required. Wall board and plaster require the use of anchors such as expansion or toggle bolts. Bricks, tile and stone need special plugs and drill bits. Wood should always be pre-drilled to avoid splitting.

Professional installation is also available in most areas, call 800-800-3329.

STANDARD HARDWARE



Mounting Brackets with Screws

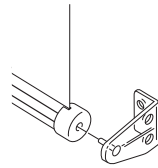


Tensioner Pulley Bracket with Screws

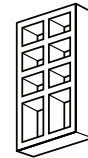


Bracket Covers (Outside Mount Only)

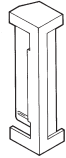
OPTIONAL HARDWARE



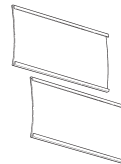
Hold Down Brackets with Screws



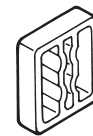
Spacer Block



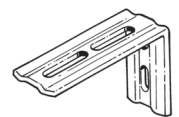
Valance Corners



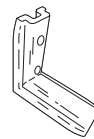
Valance Returns



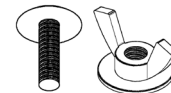
Spacers



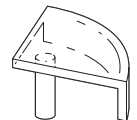
L-Bracket



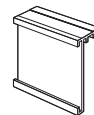
Plastic Corner



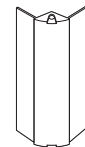
Wing Nut and Bolt



Corner End Cap



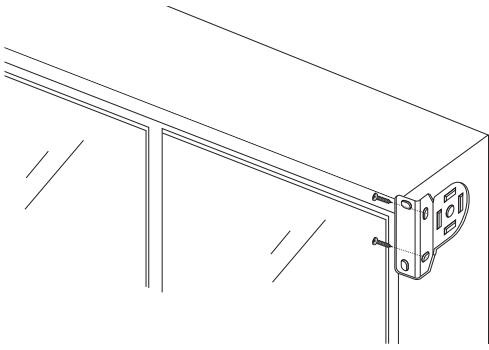
Valance Return



Corner Pieces

INSIDE MOUNT

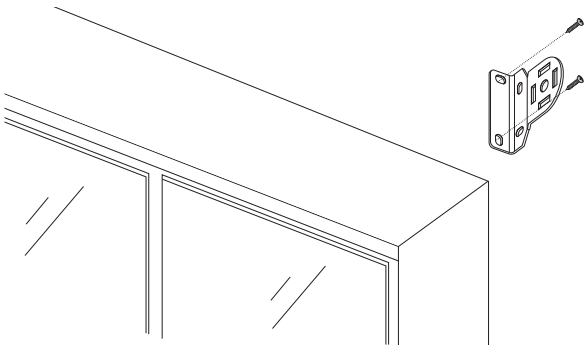
- Mount a bracket in each corner of the window.



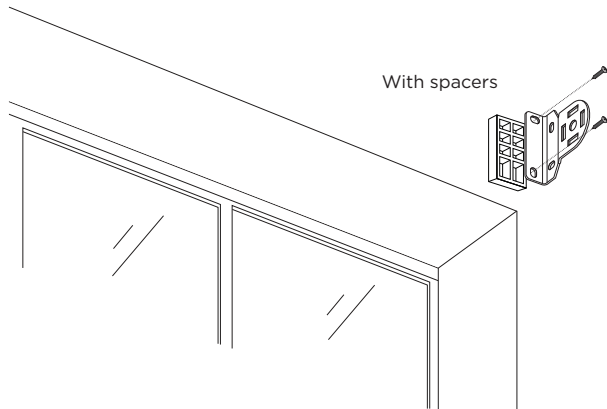
- Proceed to "Shade Installation"

OUTSIDE MOUNT

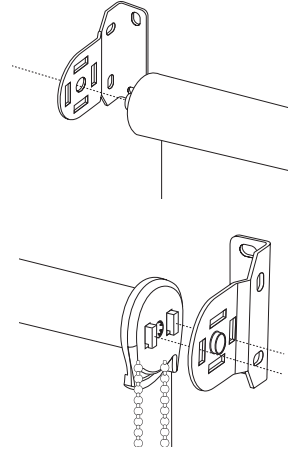
- Mount brackets in desired location above window.



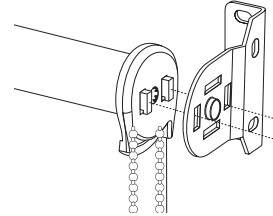
With spacers



SHADE INSTALLATION

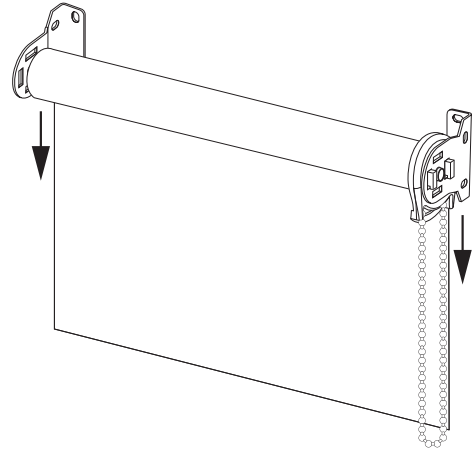


- Put the spring loaded pin end into the bracket.



- Keep the pin end secured in its bracket, insert the hooks on the clutch straight into the two slots in the bracket.

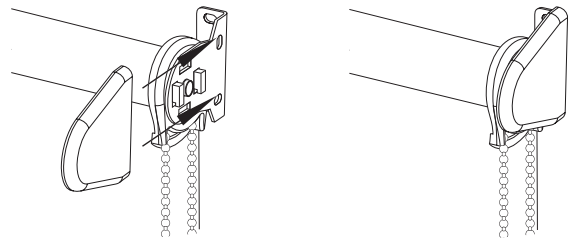
- Once the two hooks are through the slots, gently pull down on the clutch until the two hooks have locked securely to the bracket. The bottom of the clutch should point straight down.



OUTSIDE MOUNT BRACKET COVERS

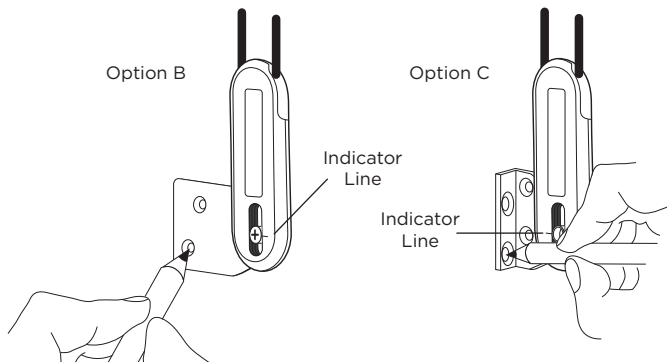
Outside mount only.

- Bracket covers are slid over the bracket until snapped into position.



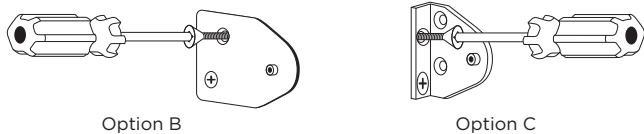
TENSIONER INSTALLATION

- Release the lock and engage the sprint by pulling the bracket downward so the center of the screw hole aligns with the indicator line on the Cord Tensioner. Mark the mounting bracket screw locations.

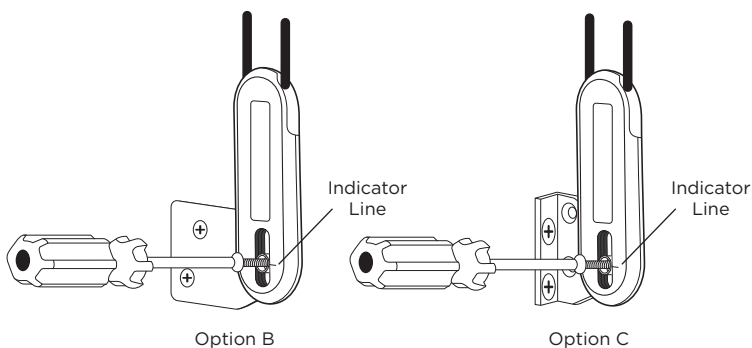


NOTE: Hold the mounting bracket firmly in place and check that the cord can move freely through the Cord Tensioner. If it cannot, the cord is too tight and the mounting bracket should move up. If the cord locks within the Cord Tensioner, the cord is too loose and the mounting bracket should be moved down.

- Pre-Drill the holes for screws and anchors. For applications requiring anchors, use a $\frac{7}{32}$ " frill bit. For applications not requiring anchors, use a $\frac{3}{32}$ " drill bit and drill $1\frac{1}{4}$ " deep. If using anchors, tap them into the holes.



- Detach the Cord Tensioner from the mounting bracket by removing the small screw. Using a Phillips screwdriver and the two longer screws provided to mount the brackets to the wall.



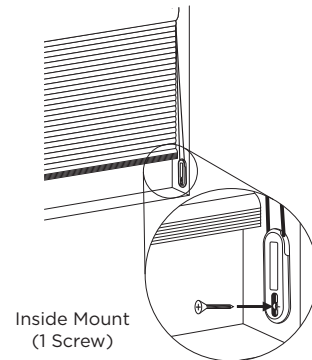
- Attach the bracket to the mounting bracket to the Cord Tensioner. The screw hole in the Cord Tensioner fits into the nub on the bracket.

MOUNTING OPTIONS

Option A - Inside mount without a bracket

Cord Tensioner used in an inside mount application without a mounting bracket.

- Locate the Cord Tensioner as close to the window as possible to minimize accessibility by children and pets. Be sure the Cord Tensioner is not placed in the path of the window covering when raising and lowering.

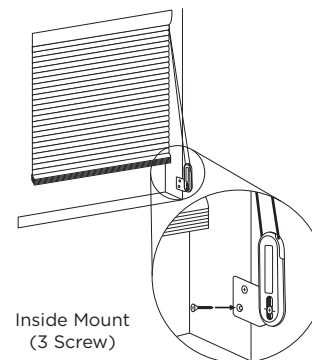


Inside Mount
(1 Screw)

Option B - Inside mount with a bracket

Cord Tensioner using the mounting bracket in an inside mount application.

- Locate the Cord Tensioner as close to the window as possible to minimize accessibility by children and pets. Be sure the Cord Tensioner is not placed in the path of the window covering when raising and lowering.

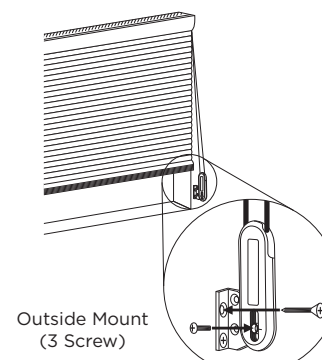


Inside Mount
(3 Screw)

Option C - Outside mount

Cord Tensioner using the mounting brackets in an outside mount application.

- Locate the Cord Tensioner as close to the window as possible to minimize accessibility by children and pets. Be sure the Cord Tensioner is not placed in the path of the window covering when raising and lowering.



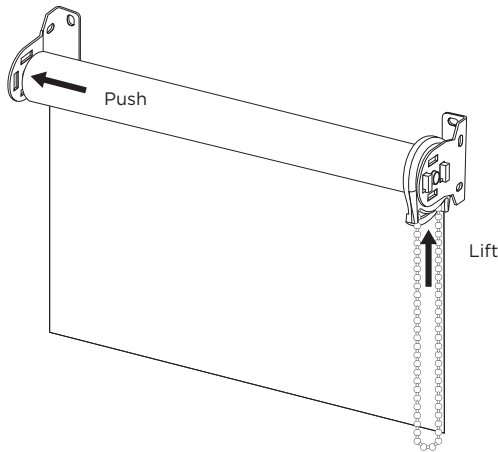
Outside Mount
(3 Screw)

SHADE OPERATION

- To raise the shade, pull on outside portion of the cord loop chain.
- To lower the shade, pull on inside portion of the cord loop chain.

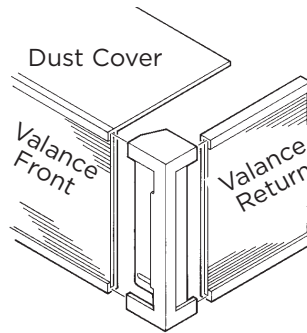
SHADE REMOVAL

- To remove shade lift up on the clutch end of the shade.
- Push shade towards the spring loaded pin side and release shade from brackets.



VALANCE ASSEMBLY

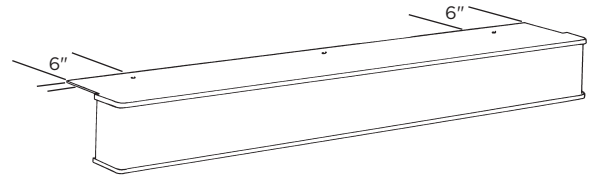
STANDARD VALANCE



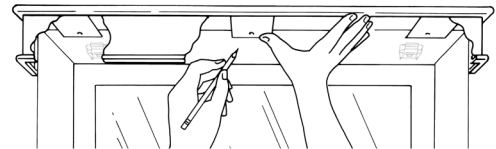
To Assemble the Valance:

- Insert vinyl inserts into the valance returns.
- Attach valance returns to the valance using the closed valance corner.

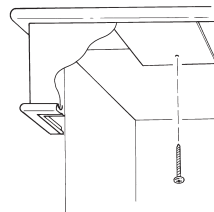
STANDARD VALANCE (INSIDE MOUNT)



- To install, the valance must be pre-drilled. Using a pencil, mark pilot holes 6" in from each end of the valance and $\frac{3}{4}$ " in from the back of the valance. If additional brackets were sent with your valance mark additional pilot holes evenly spaced over the remaining width of the valance. Drill holes at the pencil marks using a $\frac{1}{16}$ " drill bit.

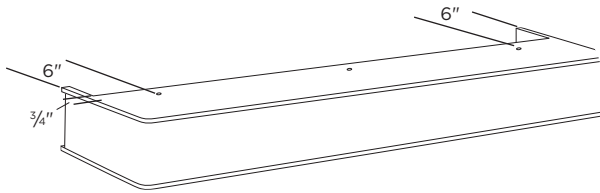


- Position the valance so that the plastic dust cover on the top of the valance fits inside of the window frame and the valance returns butt up against the wall on the outside of the window frame.
- Using the pencil, mark the window sill through the holes in the valance.

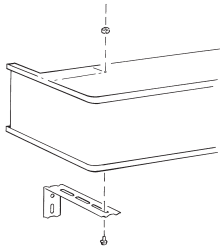


- Install valance using the screws provided.

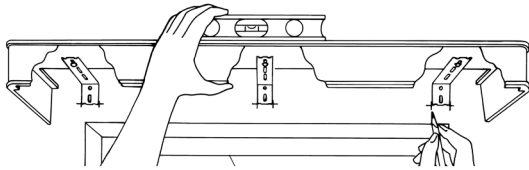
STANDARD VALANCE (OUTSIDE MOUNT)



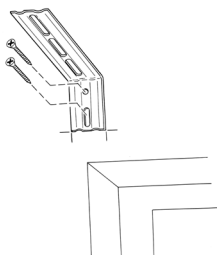
- To install, the valance must be pre-drilled. Using a pencil, mark pilot holes 6" in from each end of the valance and $\frac{3}{4}$ " in from the back of the valance. If additional brackets were sent with your valance mark additional pilot holes evenly spaced over the remaining width of the valance. Drill holes at the pencil marks using a $\frac{1}{16}$ " drill bit.



- Once the extension brackets are installed, position the valance over the window and roller shade

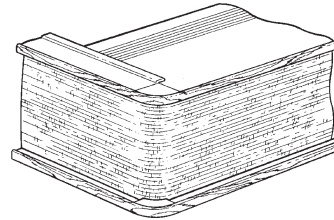
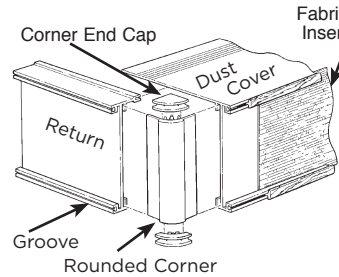
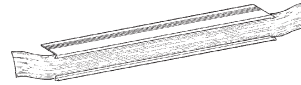


NOTE: The valance should be positioned to cover the top of the shade roll. Please leave enough room to allow the shade to operate properly. Using the level and a pencil, mark the bottom corners of each extension bracket.



- Remove the extension brackets from the valance and install them using the screws provided.

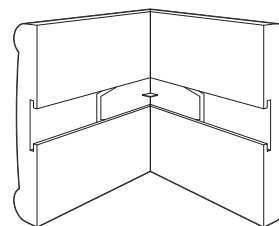
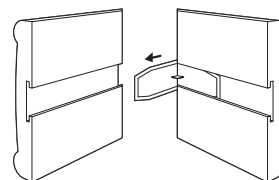
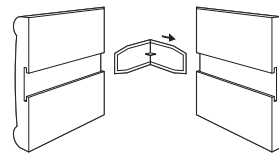
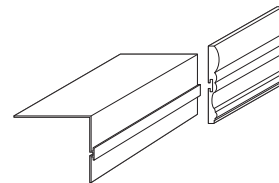
CURVED VALANCE, FABRIC INSERT



To Assemble The Valance:
Note: The ordered fabric has already been inserted into the valance.

- Insert one end of the rounded corner into the valance and the other into the valance return. Note that the valance returns have a slot that also clips into the valance dust cover edge.
- Slide the fabric insert to the end of each, then peel off the protective cover on the double sided tape and stick to fabric.
- Push the corner End Caps into place on the top and bottom of the rounded corner.
- Repeat the above process for the other end of the valance. (Excess material may need to be trimmed from returns. Simply use scissors.)
- Then follow above Standard Valance instructions to install it

CORONADO VALANCE

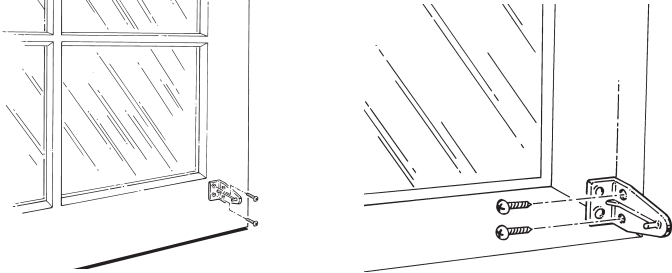


- Insert Plastic corner into the valance and returns as shown, then follow above Standard Valance instructions to install it.

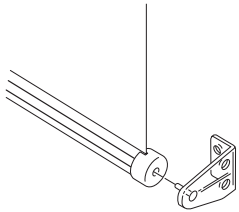
OPTIONAL ACCESSORIES

HOLD DOWN BRACKETS

Hold down brackets are used primarily on shades mounted to doors or in motor homes. There are two small holes in the end caps that are covered by a thin plastic layer. Use the pin on the hold down bracket to push through the center of the end cap and it will break through the plastic layer.



- With the shade lowered to its full length, place the pin of each hold down bracket into the hole in each end of the bottom rail.
- Mark the mounting surface, either to the side or back of the window frame, through the holes in the hold down bracket. Make sure the hold down brackets are level and aligned with each other.
- Raise the shade and screw the hold down brackets into the mounting surface using the screws provided.



- Lower the shade and flex the hold down bracket outward so that the pin can be inserted into the hole in the end cap.

SPACER

Spacers are available for use on windows with a projected molding. They are $\frac{3}{8}$ " thick and allow the shade to be mounted flush with the outside edge of any standard window molding. They are available by contacting our Customer Care Department at 800-800-3329.

WARNING

Young children can STRANGLE in cord and bead chain loops. They can also wrap cords around their necks and STRANGLE.



- Always keep cords and bead chains out of children's reach.
- Move cribs, playpens, and other furniture away from cords and bead chains. Children can climb furniture to get to cords.
- Attach tension device to wall or floor. This can prevent children from pulling cords and bead chains around their necks. Fasteners provided with the tension device may not be appropriate for all mounting surfaces. Use appropriate anchors for the mounting surface conditions.

ANSI/WMCA A100.1-2012 5.2.4



3DAYBLINDS®
YOU'LL LOVE THE TREATMENT

800-800-3329 | 3dayblinds.com

Part # PM-005 © 3 Day Blinds Corporation 10/13