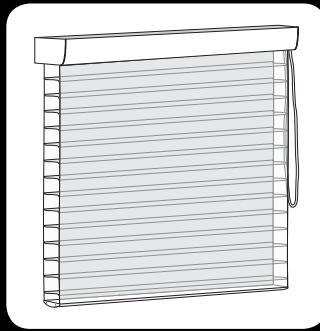


HORIZONTAL SHEER SHADES



3DAYBLINDS®
YOU'LL LOVE THE TREATMENT

GETTING STARTED

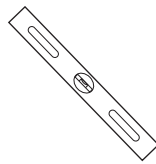
A few simple tools are required:



Steel Tape Measure



Pencil



Level



Flat Head And Phillips Head Screwdriver



Hex Head Screwdriver (Screwdriver)

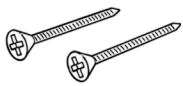


Awl (Or Tool For Starting A Screw Hole)

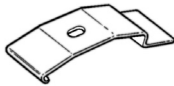
Included in your order is all hardware necessary for a normal installation. Additional fasteners other than those sent with your shading may be required depending on the mounting surface. Wallboard and plaster require the use of anchors such as expansion or toggle bolts. Brick, tile or stone need special plugs and drill bits. Remember to always pre-drill holes in wood to avoid splitting.

Professional installation is also available in most areas, call 800-800-3329.

STANDARD HARDWARE



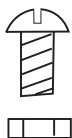
Screws



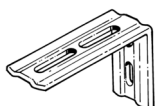
Inside Mount Headrail Clip



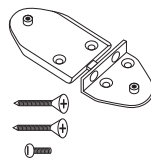
Spacers



Bolt and Nut

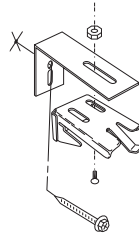


L-Bracket



Tension Bracket With Screws

OPTIONAL HARDWARE



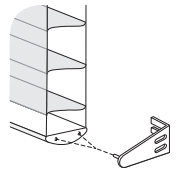
Extension Bracket



Spacer



Bolt And Nut

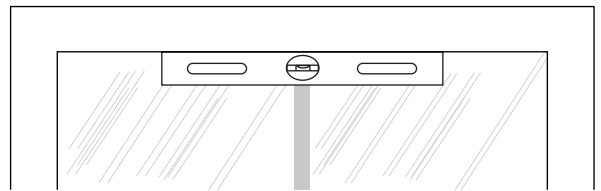


Hold Down Brackets

BRACKET INFORMATION

The brackets you received with your product are **REQUIRED** for proper installation. Brackets should be installed 2" from each end. Any additional brackets will need to be evenly spaced between the two end brackets.

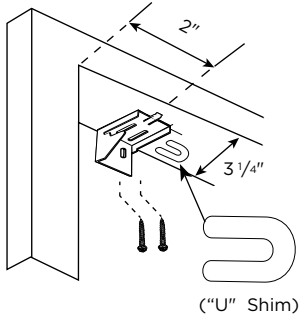
MAKE SURE THE MOUNTING SURFACE IS LEVEL



WARNING: If the headrail does not sit level, the Window Shading will not roll up evenly. This could damage the edges of your shading! Your Window Shading has been leveled and weighted in our factory. Shims have been provided to allow you to compensate for uneven mounting surfaces and ensure balanced operation.

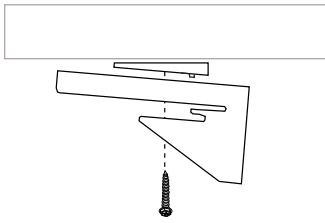
NOTE: Premium headrail bracket is used in illustrations; if you have the standard bracket, follow same instructions.

INSIDE MOUNT



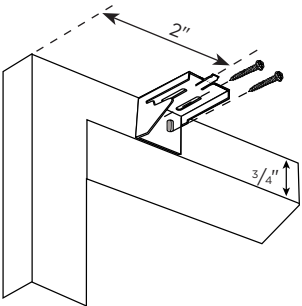
- The Brackets should be installed at each end, with the centerline of the brackets positioned 2" from the ends.
- 3 1/4" minimum of flat mounting surface is required to fully recess your shading.
- 3/4" minimum of flat mounting surface is required for a shallow mount.
- Use shims if necessary to ensure the headrail is mounted level.

FULLY RECESSED INSIDE MOUNT



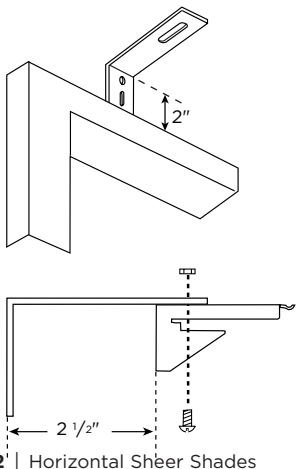
- Low light gap wedges can be used to reduce the top light gap when the shading is mounted fully recessed. The wedge is placed between the mounting surface and the bracket with the tabs on the wedge facing down and the thick end of the wedge toward the back of the bracket.

OUTSIDE MOUNT



- The Brackets should be installed at each end, with the centerline of the brackets positioned 2" from the ends.
- 3/4" minimum of flat mounting surface required.

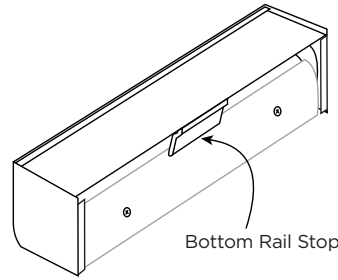
OUTSIDE MOUNT WITH EXTENSION BRACKETS



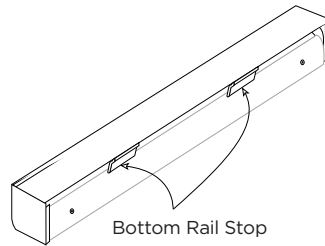
- Optional Extension Brackets are used to project the back of the shading up to 2 1/2" from the mounting surface.
- 2" minimum of flat mounting surface is required.
- Attach the Standard Mounting Bracket to the Extension Bracket with the nut and bolt provided.

BOTTOM RAIL STOP

Your Shading is equipped with a bottom rail stop to prevent the bottom rail from rolling up onto the headrail.



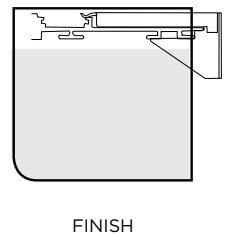
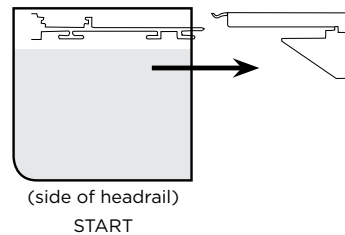
- Position the bottom rail stop so it does not interfere with the mounting brackets. The stop(s) can simply be pushed out of the way by sliding them to the left or right until they clear the brackets.
- Shadings 40" wide or less have 1 bottom rail stop. Slide the stops to the center of the shading.



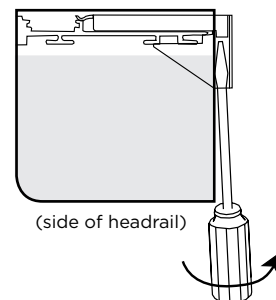
- Shadings over 40" wide have 2 bottom rail stops. Slide the stops to the right and left of the center of the shading so it does not interfere with the mounting brackets.

HANGING THE SHADING

Push the rail back until it is fully engaged.



REMOVING THE SHADING



- To remove the shading, partially lower the shading and insert a flat head screwdriver as shown.
- Twist the screwdriver until the headrail disengages from the bracket.

NOTE: Tip of screwdriver must be wider than the space between headrail and bracket to force the headrail out of the bracket.

OPERATING THE SHADING

Pulling down on the back cord will lower the shading. When the window shading is completely lowered, pulling down on the back cord will open the vanes. Continued pulling in this direction will raise the fabric with the vanes in the open position. **The window shading must only be raised a maximum of 24" in this manner to avoid damaging the fabric. DO NOT reverse roll more than 24" .**

Pulling down on the front cord will close the vanes and then raise the shading.

TENSIONER INSTALLATION

After installing the window covering, the Cord Tensioner must be mounted for the window covering to operate correctly. When properly installed, the Cord Tensioner functions as a safety device that makes the pull cord less accessible to children.

NOTE: If the mounting screws will not be secured into a wood stud, use wall anchors. For metal surfaces, pre-drill the holes and use sheet metal screws.

IMPORTANT!

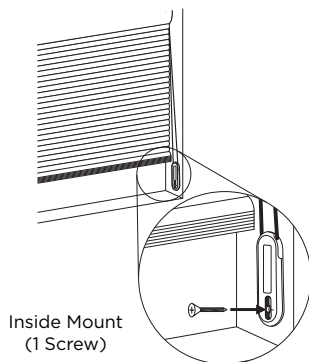
- Install the Cord Tensioner in a location that minimizes accessibility to children and pets and where it will not interfere with its operation.
- Only supplied Cord Tensioners and hardware should be used.

MOUNTING OPTIONS

Option A - Inside mount without a bracket

Cord Tensioner used in an inside mount application without a mounting bracket.

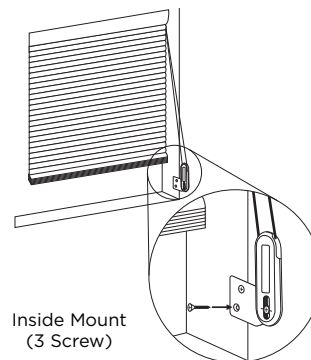
- Locate the Cord Tensioner as close to the window as possible to minimize accessibility by children and pets. Be sure the Cord Tensioner is not placed in the path of the window covering when raising and lowering.



Option B - Inside mount with a bracket

Cord Tensioner using the mounting bracket in an inside mount application.

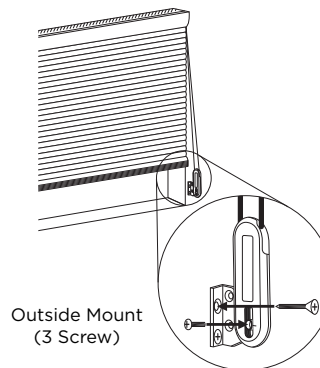
- Locate the Cord Tensioner as close to the window as possible to minimize accessibility by children and pets. Be sure the Cord Tensioner is not placed in the path of the window covering when raising and lowering.



Option C - Outside mount

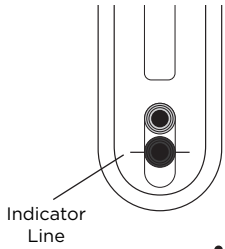
Cord Tensioner using the mounting brackets in an outside mount application.

- Locate the Cord Tensioner as close to the window as possible to minimize accessibility by children and pets. Be sure the Cord Tensioner is not placed in the path of the window covering when raising and lowering.

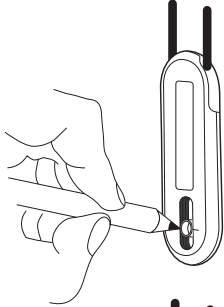


MOUNTING

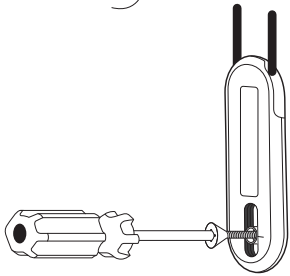
Option A - Inside mount without a bracket



- To release the lock and engage the spring, use an awl, punch or small tip screwdriver to pull down the screw hole, so its center aligns with the indicator line on the Cord Tensioner.



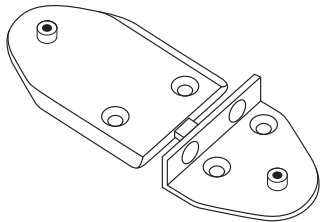
- Mark this location on the wall.



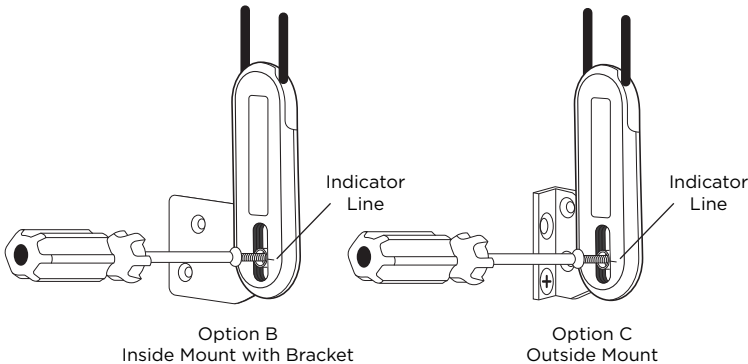
- Pre-Drill the holes for screws and anchors. For applications requiring anchors, use a $7/32$ " frill bit. For applications not requiring anchors, use a $3/32$ " drill bit and drill $1\ 1/4$ " deep. If using anchors, tap them into the holes.

- Use a Phillips screwdriver and one of the longer screws provided to attach the Cord Tensioner directly to the wall.

Option B or C

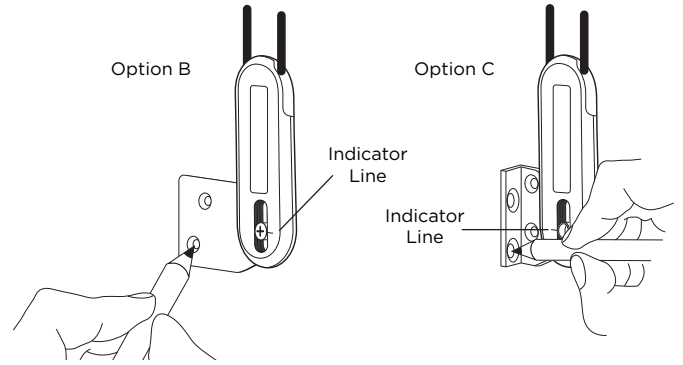


- Break off the bracket needed.



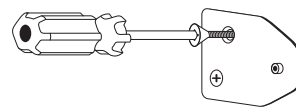
- Attach the bracket to the mounting bracket to the Cord Tensioner. The screw hole in the Cord Tensioner fits into the nub on the bracket.

- Release the lock and engage the spring by pulling the bracket downward so the center of the screw hole aligns with the indicator line on the Cord Tensioner. Mark the mounting bracket screw locations.

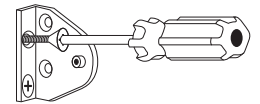


NOTE: Hold the mounting bracket firmly in place and check that the cord can move freely through the Cord Tensioner. If it cannot, the cord is too tight and the mounting bracket should move up. If the cord locks within the Cord Tensioner, the cord is too loose and the mounting bracket should be moved down.

- Pre-Drill the holes for screws and anchors. For applications requiring anchors, use a $7/32$ " frill bit. For applications not requiring anchors, use a $3/32$ " drill bit and drill $1\ 1/4$ " deep. If using anchors, tap them into the holes.

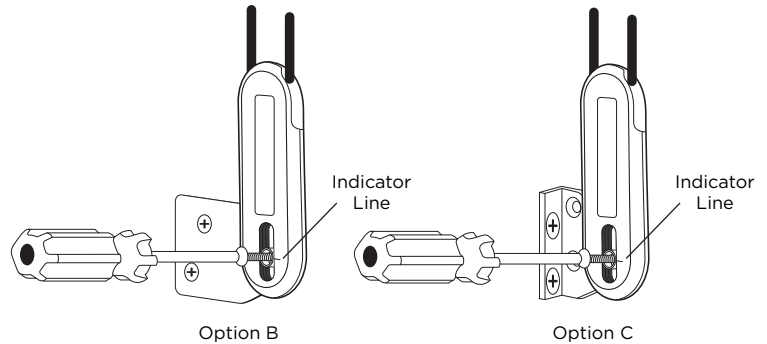


Option B



Option C

- Detach the Cord Tensioner from the mounting bracket by removing the small screw. Using a Phillips screwdriver and the two longer screws provided to mount the brackets to the wall.



- Attach the bracket to the mounting bracket to the Cord Tensioner. The screw hole in the Cord Tensioner fits into the nub on the bracket.

FINAL INSPECTION

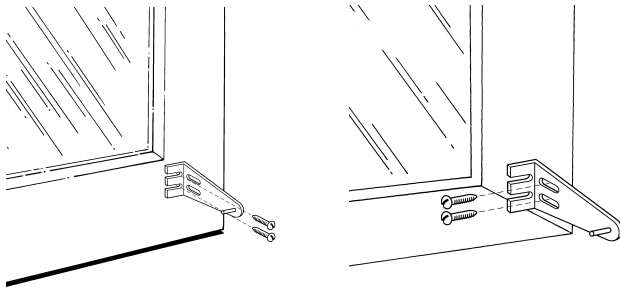
Ensure the cord can move freely through the Cord Tensioner without engaging the lock. The center of the screw hole should be at least half way down the slot, aligned with the indicator line on the Cord Tensioner.

CAUTION: Do not put the screw hole all the way to the bottom of the slot as this may cause the cord to become too tight and increase cord wear.

OPTIONAL INSTALLATION

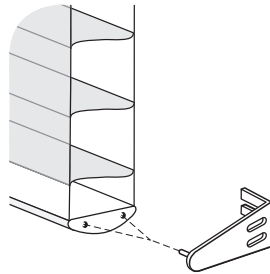
HOLD DOWN BRACKETS

Hold down brackets are optional. Hold down brackets are used primarily on shadings mounted to doors or in motor homes.



- With the shading lowered to its full length, place the pin of each hold down bracket into either the front or back hole of the bottom rail end cap located at each end of the bottom rail, use a bit of pressure to break through the plastic film and push the pin into the end cap.
- Mark the mounting surface, either to the side or back of the window frame, through the holes in the hold down bracket. Make sure the hold down brackets are level and aligned with each other.
- Raise the shading and screw the hold down brackets into the mounting surface using the screws provided.

- Lower the shading and flex the hold down bracket outward so that the pin can be inserted into the hole at each end of the bottom rail. Use the same holes used when marking the mounting position of the hold down brackets.



CHILD SAFETY

The Consumer Product Safety Commission (CPSC) requires the use of a Tension Pulley on all loop cord systems. The use of such a device is intended to significantly reduce the occurrence of infant or small child strangulation injuries or death resulting from the looped pull cords on various window treatment products.

The Tension Pulley is installed on the draw cord at the factory. The Tension Pulley should be mounted in the proper position to pull the cord taut in order to reduce the possibility of injury, but do not apply too much tension to the cord or your shading will not operate properly.

WARNING

Young children can STRANGLE in cord and bead chain loops. They can also wrap cords around their necks and STRANGLE.



- Always keep cords and bead chains out of children's reach.
- Move cribs, playpens, and other furniture away from cords and bead chains. Children can climb furniture to get to cords.
- Attach tension device to wall or floor. This can prevent children from pulling cords and bead chains around their necks. Fasteners provided with the tension device may not be appropriate for all mounting surfaces. Use appropriate anchors for the mounting surface conditions.

ANSI/WMCA A100.1-2012 5.2.4



3DAYBLINDS®
YOU'LL LOVE THE TREATMENT

800-800-3329 | 3dayblinds.com

Part #PM-017 © 3 Day Blinds Corporation 3/13